

## Kitchen Sink Mixer with Two Jet Nozzle on Metal Spring

EN01260

**WELS:** 4 stars

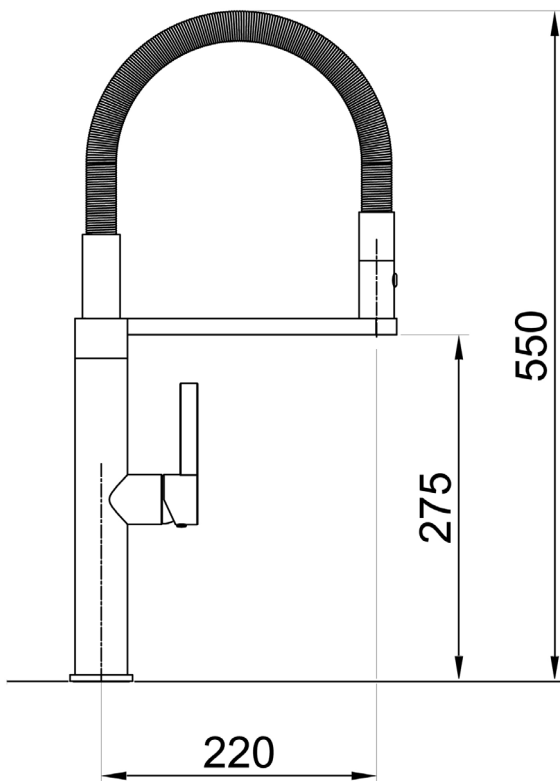
**Litres/minute:** 7.5L

**WELS License:** 1483

**Finish:** Chrome

**Custom Finishes available:**

Specialty finishes available upon request



By combining the square geometric form with the gentleness of curved corners, Eneo has perfectly captured today's design trend. That trend is contemporary luxury. Contemporary through the use of straight lines, luxury through generous proportions and softened edges.

Great functionality has been built in with the use of a removable two jet nozzle mounted on a spring.

The comfortable, ergonomic handle combined with a world renowned European made ceramic disc cartridge, ensures a smooth and accurate operation.

Generously plated with the robust ShineOn chrome finish, your mixer will maintain its great looks for years to come. The 15 year warranty\* against leaking, ensures your mixer has a long trouble-free life.

**WARRANTY**  
15 years

\*Conditions apply.