

Talis E

Single lever basin mixer for concealed installation with spout 225 mm wall-mounted

Surfaces: **chrome** Article Number: **71734000**



Description

product features

- projection 225 mm
- normal spray
- flow rate: 5 l/min
- ceramic cartridge
- temperature limitation adjustable
- non-closing flush grated valve
- suitable for continuous flow water heaters
- connection dimension: DN15

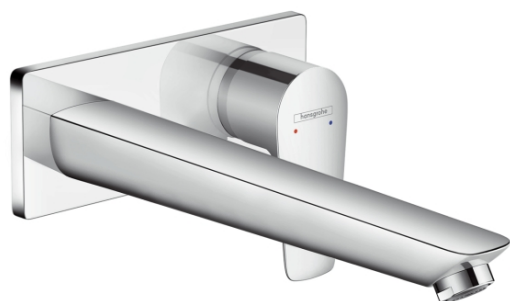
Mandatory Accessoires

- Basic set for single lever basin mixer for concealed installation wall-mounted (#13622XXX)

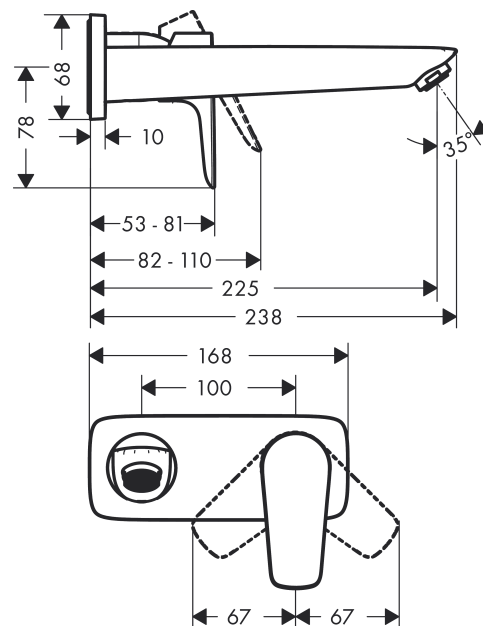
Technology



Product image



Scale drawing



Talis E

Single lever basin mixer for concealed installation with spout 225 mm wall-mounted

Surfaces: **chrome** Article Number: **71734000**



Installation examples

