

# Napoli

NAP-N-SW



 Premium

## Minimalist contemporary bath

- Ultra contemporary freestanding design
- Supplied complete with integral plinth
- Winner of the 2007 Daily Telegraph, House & Garden EXPO 'I love my bath competition'
- Made from QUARRYCAST®
  - One piece casting of rare volcanic limestone and resin
  - Harder and more durable than acrylic
- Easy clean high gloss finish
- Exterior can be painted
- 25 year guarantee

Shown with Lido tap stand - LID-N-SM



### Bath:

- No tap holes
  - Suitable for freestanding or wall mounted taps - Recommended for use with optional Lido freestanding tap stand - LID-N-SM
  - NB Due to the design of the rim, this bath cannot be drilled for tap holes. See separate Lido tap stand sheet for further options

### Headrest:

- Dedicated Napoli headrest - Black HR-NAP-BK



### Recommended Waste:

Non-overflow waste kit - captive plug fitting - KIT12C

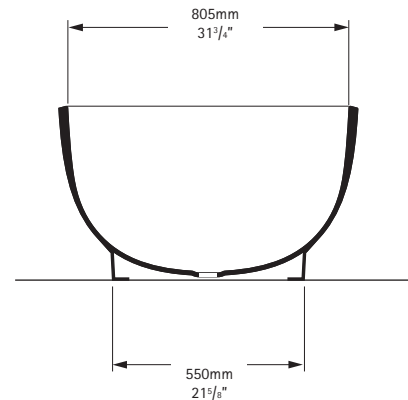
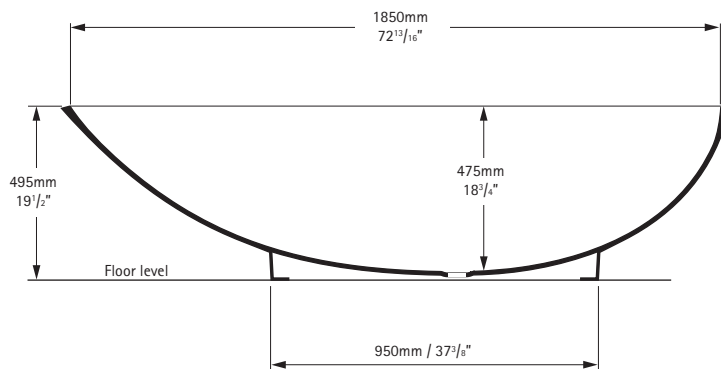
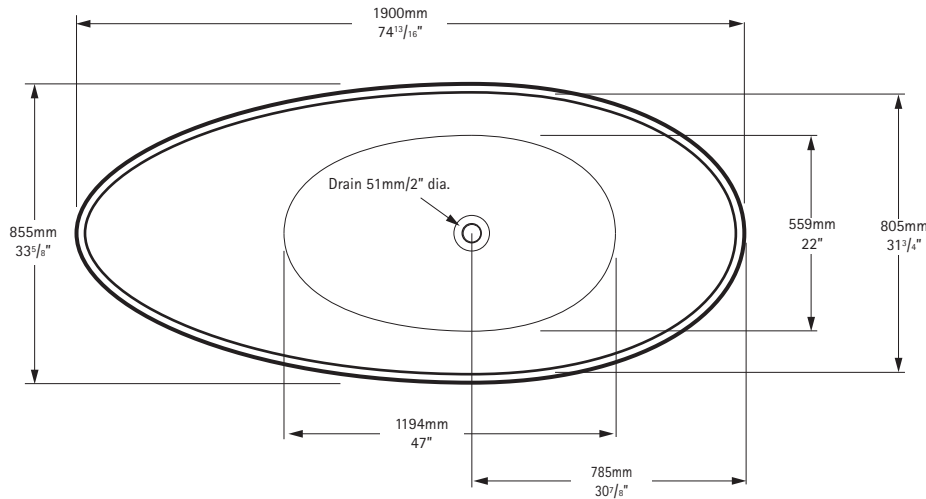
EC Reg. Design pending

Note: For product specifications please see over



# Napoli NAP-N-SW

Minimalist contemporary bath



**Notes**

**NB** Due to the low slung design of the Napoli installation requires a sub-floor waste trap and pipe work. Refer to installation instructions supplied with bath for additional information. Fittings (taps & drain assembly) not included and must be ordered separately.

**Important**

Dimension of fixtures are nominal and may vary within the range of tolerances established by ANSI standard A112.19.4M.

These measurements are subject to change or cancellation.

No responsibility is assumed for use of superseded or void leaflet.

**General specifications for Napoli bath**

<b>Installed size</b>	1900mm x 855mm x 495mm
<b>Weight</b>	68kg
<b>Weight with water</b>	368kg
<b>Litres to rim</b>	300 litres
<b>Bathing well at rim</b>	1850mm x 805mm
<b>Water depth to rim</b>	475mm