

# PLAZA

## CLOSE COUPLED TOILET SUITE S or P TRAP

**JohnsonSuisse**  
Bathroom Solutions

CODE:  
S Trap - J2010.J2200C  
P Trap - J2011.J2200C

### FEATURES

- FUNCTIONAL TRADITIONAL DESIGN
- COMPACT AUSTRALIAN DESIGNED SUITE WITH SIMPLE LINES
- LH/RH ADJUSTABLE WATER INLET
- CHROME EASY PUSH DUAL FLUSH BUTTON.
- STANDARD CLOSE SEAT WITH STAINLESS STEEL HINGES
- CISTERN FIXED WITH METAL PLATE (NO THROUGH HOLES)
- 3/4.5L DUAL FLUSHING, 4 WELS RATED
- CAN BE INSTALLED IN S OR P TRAP CONFIGURATION
- COMES WITH S TRAP PAN CONNECTOR WITH A SET OUT: 140MM

### COMPONENTS

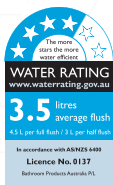
PLAZA S TRAP CLOSE COUPLED PAN	J2010
PLAZA P TRAP CLOSE COUPLED PAN	J2011
PLAZA CISTERN	J2200C
PLAZA SOFT-CLOSE SEAT	RB6041



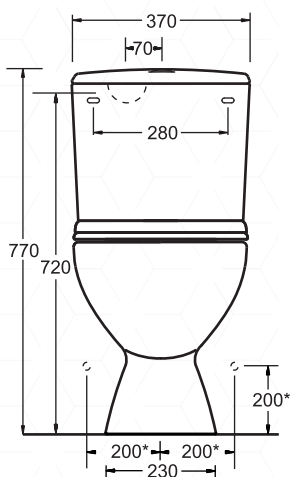
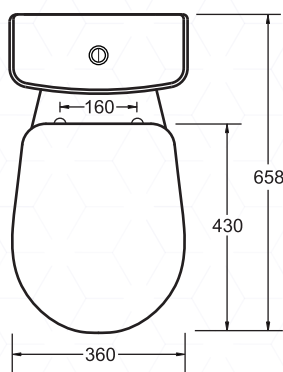
### WARRANTY

VC 25 YEARS, VALVES 3 YEARS, SEAT 5 YEARS  
PRODUCTS REPLACEMENT

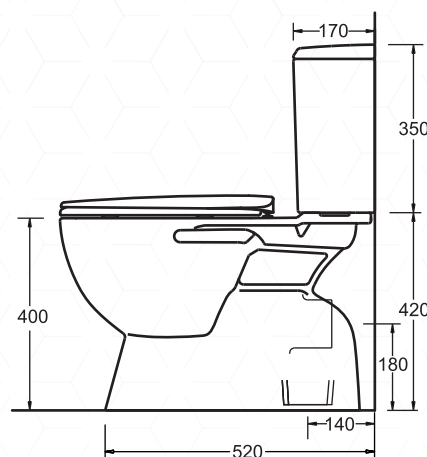
- REFER TO T&C's AT [johnsonsuiss.com.au](http://johnsonsuiss.com.au)



### PRODUCT DIMENSIONS



\* RECOMMENDED WATER INLET LOCATIONS



## TECHNICAL DATA SHEET

SUPERSEDES ALL PREVIOUS ISSUES

All dimensions are in millimetres and are subject to normal manufacturing variation.  
As product development is ongoing BPA reserves the right to vary specifications without notice.  
**Bathroom Products Australia P/L** ABN 87 079 297 617

**JohnsonSuisse**  
Bathroom Solutions

2/97 Banksia St., Botany, NSW 2019  
TEL: 1300 717 717 FAX: 1300 746 480  
[www.johnsonsuiss.com.au](http://www.johnsonsuiss.com.au)