

## Carina island style

1525 x 765 x 440mm - 147 litres

1675 x 765 x 440mm - 166 litres

1750 x 805 x 480mm - 172 litres

The Carina's planes have been angled to maximise bath space/utility, reclining comfort and function. Its form is that of an island bath so it has to be set away from adjoining walls allowing the viewer to truly appreciate its simple elegance.



Note: All bath volumes are measured in litres and 200mm from rim



Baths, All baths shown in this catalogue, except Freestanding Baths, Shower Baths and Spa Bath shells.



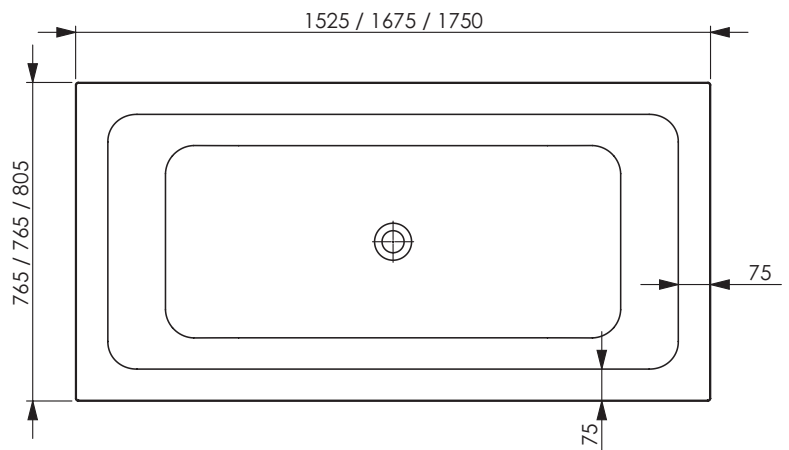
Freestanding Baths & all other baths manufactured by Decina, Shower Baths, Shower Bases, Spa Bath shells and pipework.



Spa Bath pumps, jets and fittings.



Overflows, headrests, shower walls and screens.



QLD NSW VIC WA SA TAS NTH QLD

TEL (07) 3271 1944 (02) 9621 5088 (03) 9768 3768 (08) 9242 4766 (08) 8326 7638 (03) 6245 9008 (07) 4771 3400

FAX (07) 3879 4244 (02) 8814 9898 (03) 9768 3769 (08) 9242 4733 (08) 8186 0699 (03) 6245 9002 (07) 4771 4955

Decina Bathroomware Pty Ltd

ABN 39 845 084 033

[www.decina.com.au](http://www.decina.com.au)

100%  
australian  
made & owned

Lucite Sanitary Grade Acrylic  
Steel Rim Reinforcement

**DECINA**  
BATHROOMWARE  
*relaxing your senses*