

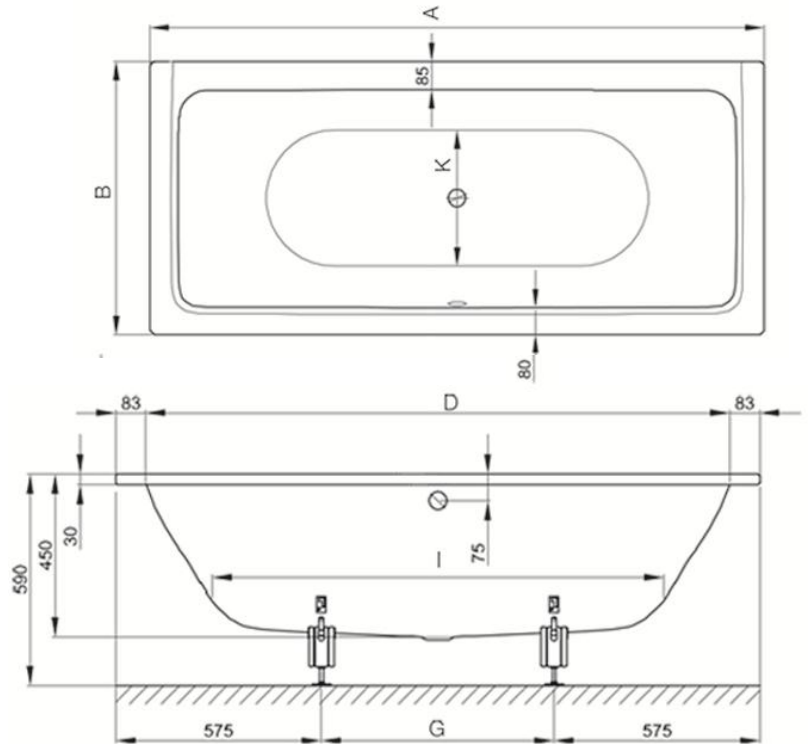


BETTE FREE BATHS

Product Image



Technical Specification



dimension	A	B	D	G	I	K	Volume
170 x 75	1700	750	1534	550	1160	485	150 litre
180 x 80	1800	800	1634	650	1260	535	180 litre
190 x 90	1900	900	1734	750	1360	635	210 litre
200 x 100	2000	1000	1834	850	1460	735	240 litre

Code / Description

BetteFree Baths

B6829WOB	1700 x 750mm
B6829WFB	1700 x 750mm with Bath Filler
B6830WOB	1800 x 800mm
B6830WFB	1800 x 800mm with Bath Filler
B6831WOB	1900 x 900mm
B6831WFB	1900 x 900mm with Bath Filler
B6832WOB	2000 x 1000mm
B6832WFB	2000 x 1000mm with Bath Filler

Additional Information

- Includes Tiling Lip
- Includes Waste Overflow Combination
- Optional Bath Feet – Code B23-1500
- Available with optional integrated Bath Filler
- For Bath filler Water Supply Rough-In a mixer (or similar) should be located close to the bath filler. The mixed water supply outlet feed should be roughed-in within 450mm of the bath filler.

