



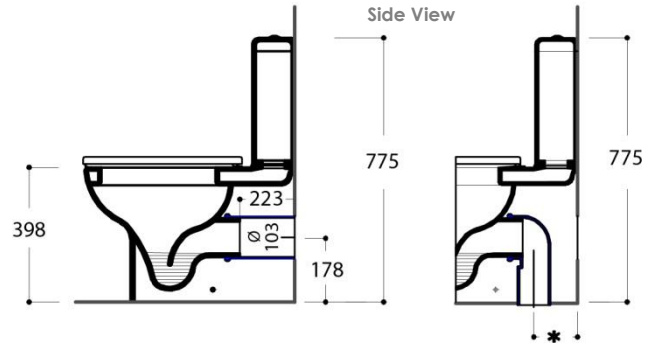
AZURE BTW TOILET SUITE

Product Image



4.5/3L WELS 4 Star

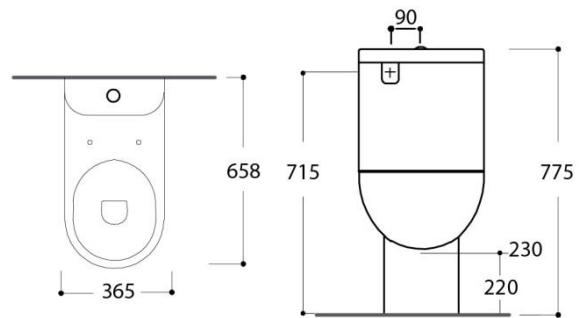
Technical Specifications



***Recommended 140mm**
Adjustment range 100-190mm
With extension bend 190-280mm

Top View

Front View



Rear Water Entry

(For INSTALLATION NOTES see over page)

Code/Description

Azure BTW Toilet Suite with Soft Closing Seat

SA060101S4RDB S-Trap / Rear Water Entry
SA061001S4RB P-Trap / Rear Water Entry

SA060101S4BDB S-Trap / Bottom Water Entry
SA061001S4BB P-Trap / Bottom Water Entry

Additional Information

- Supplied standard with Soft-Close Seat
- S-trap or P-trap available
- Concealed Rear Water Entry or Bottom Water Entry option available
- 5 Year Warranty *Conditions Apply





AZURE BTW TOILET SUITE

Installation Notes

Water Entry: Rear water entry requires ½" BSP male thread extending 10mm past the finished wall

S-Trap Set-out*: (See table below)

S-Trap Set-out options	Distance from finished wall to centre of soil pipe	Vario Bend required		Installation Notes
Recommended	140mm	50015P	Supplied standard with S-trap Suites	To be cut to required length on-site
Standard Adjustment Range	100-190mm	50015P	Supplied standard with S-trap Suites	To be cut to required length on-site
With extension bend	190-280mm	8702	Order separately with P-Trap Suite	To be cut to required length on-site - Requires installation into DWV pipe (adaptor supplied) or into a pan collar installed flush with the finished floor

Flushing options: 4.5/3L toilets can be easily converted to 6/3L on-site where it is approved to do so; one-click conversion instructions are included inside the cistern

